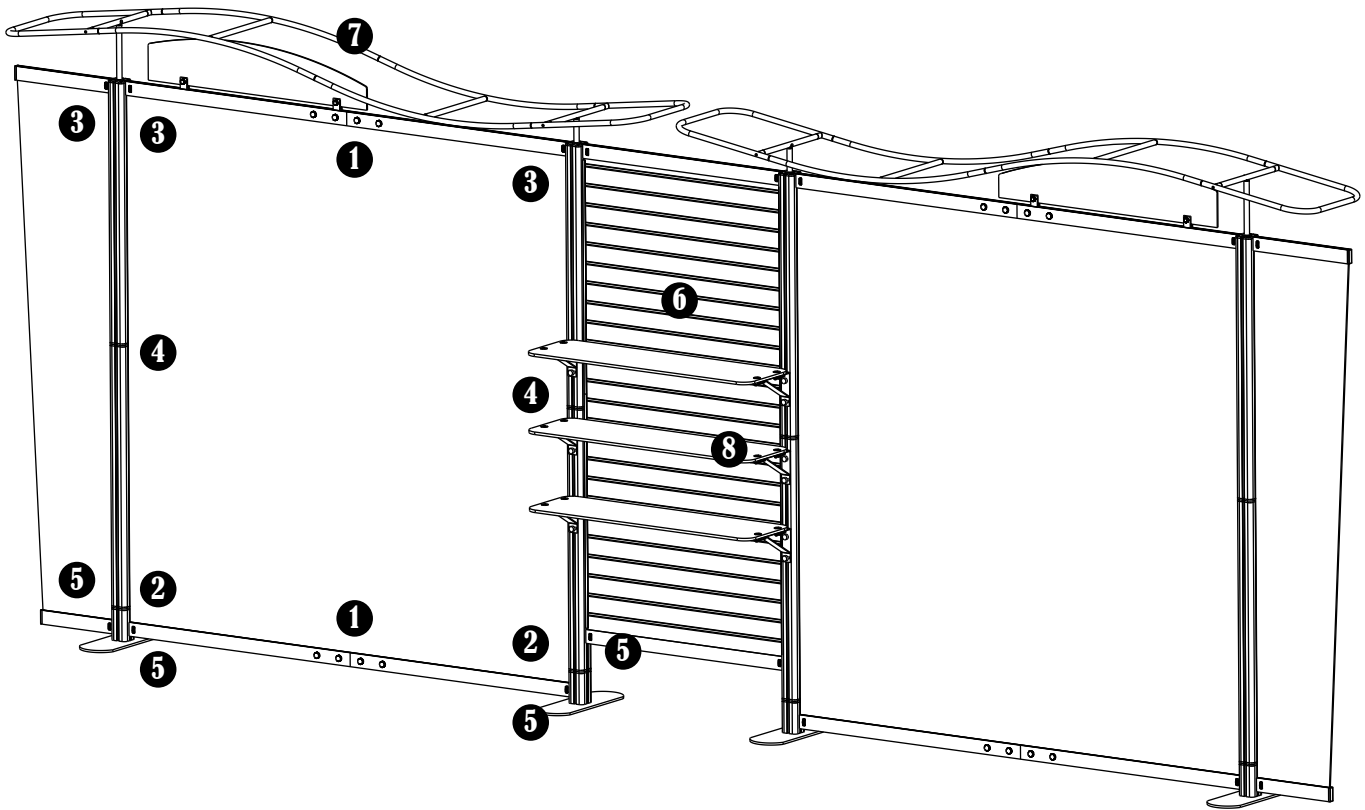
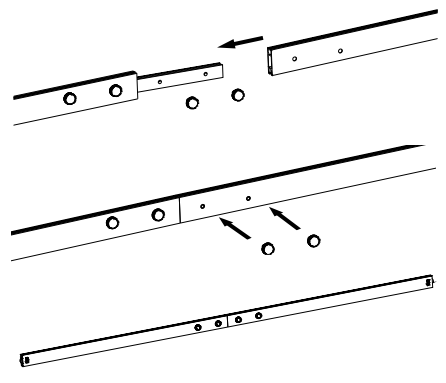


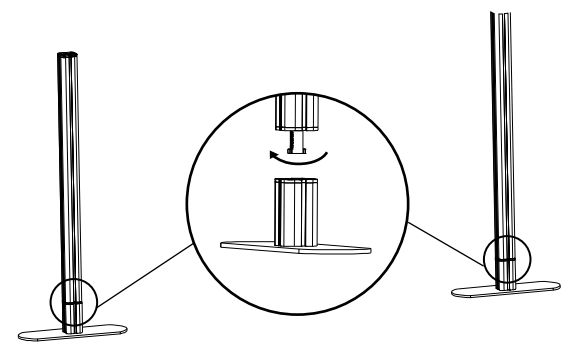
Frame Assembly



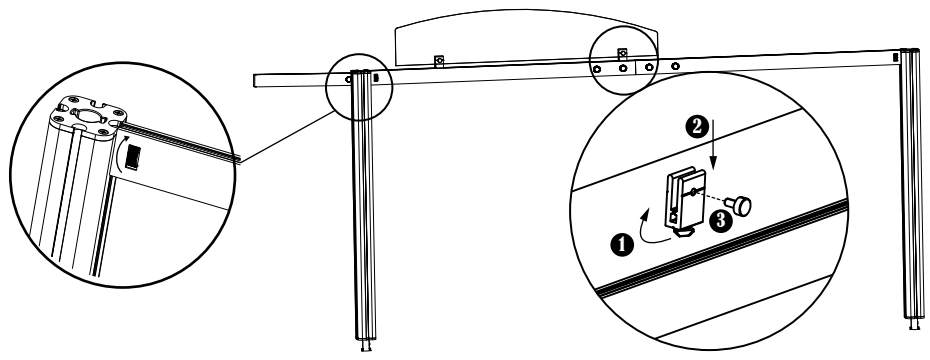
DETAIL



STEP 1



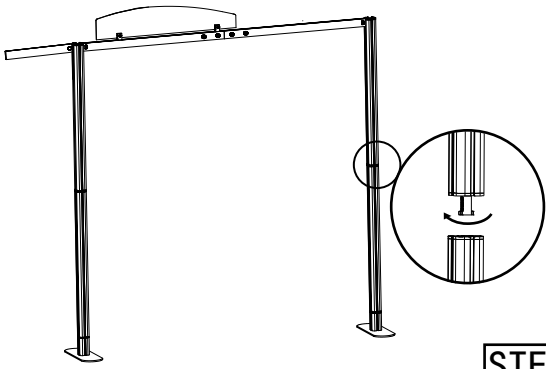
STEP 2



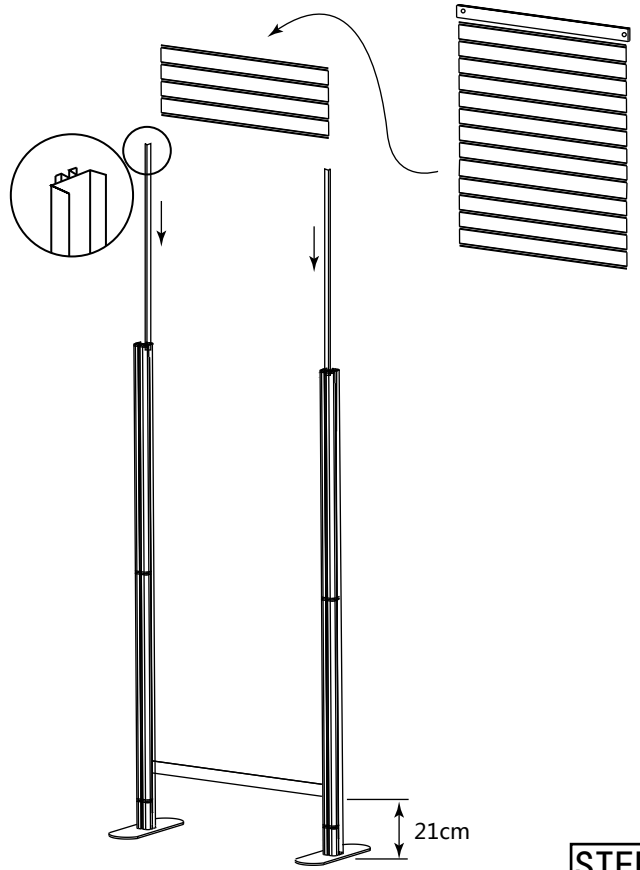
STEP 3

LIST	
	4 pcs
	4 pcs
	8 pcs
	4 pcs
	4 pcs
	2 pcs
	6 pcs
	4 pcs
	2 pcs
	3 pcs
	6 pcs
	12 pcs
	2 pcs
	4 pcs
	2 pcs
	2 pcs
	4 pcs
	4 pcs
	8 pcs
	4 pcs

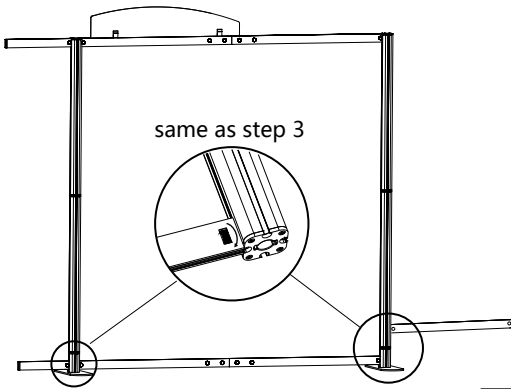
QWIKSET TWIST-LOCK HYBRID DISPLAY



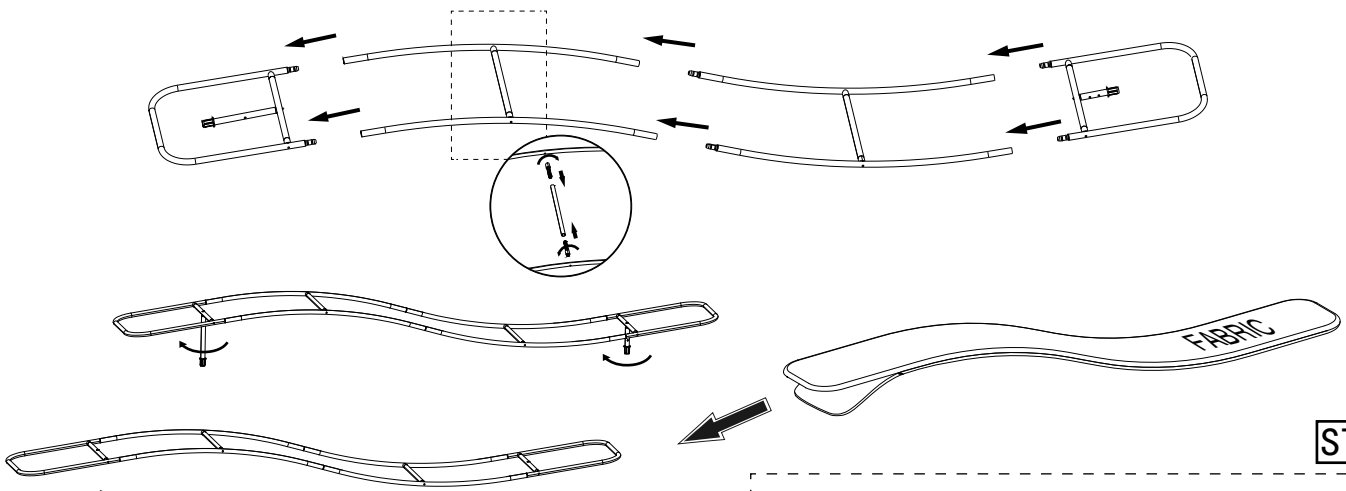
STEP 4



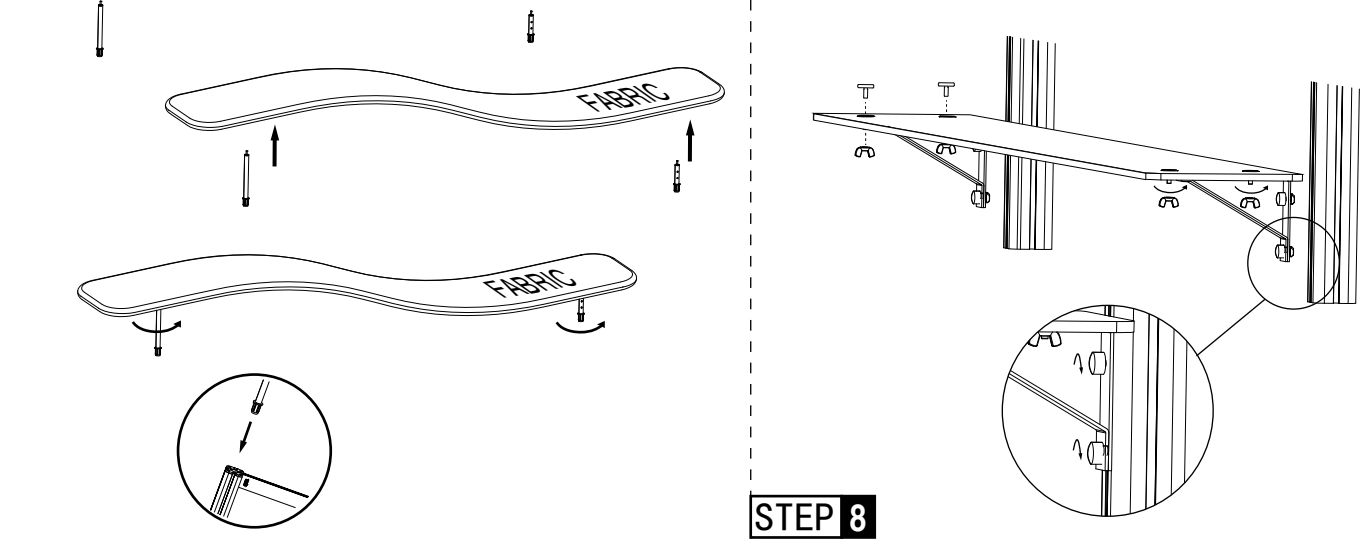
STEP 6



STEP 5



STEP 7



STEP 8