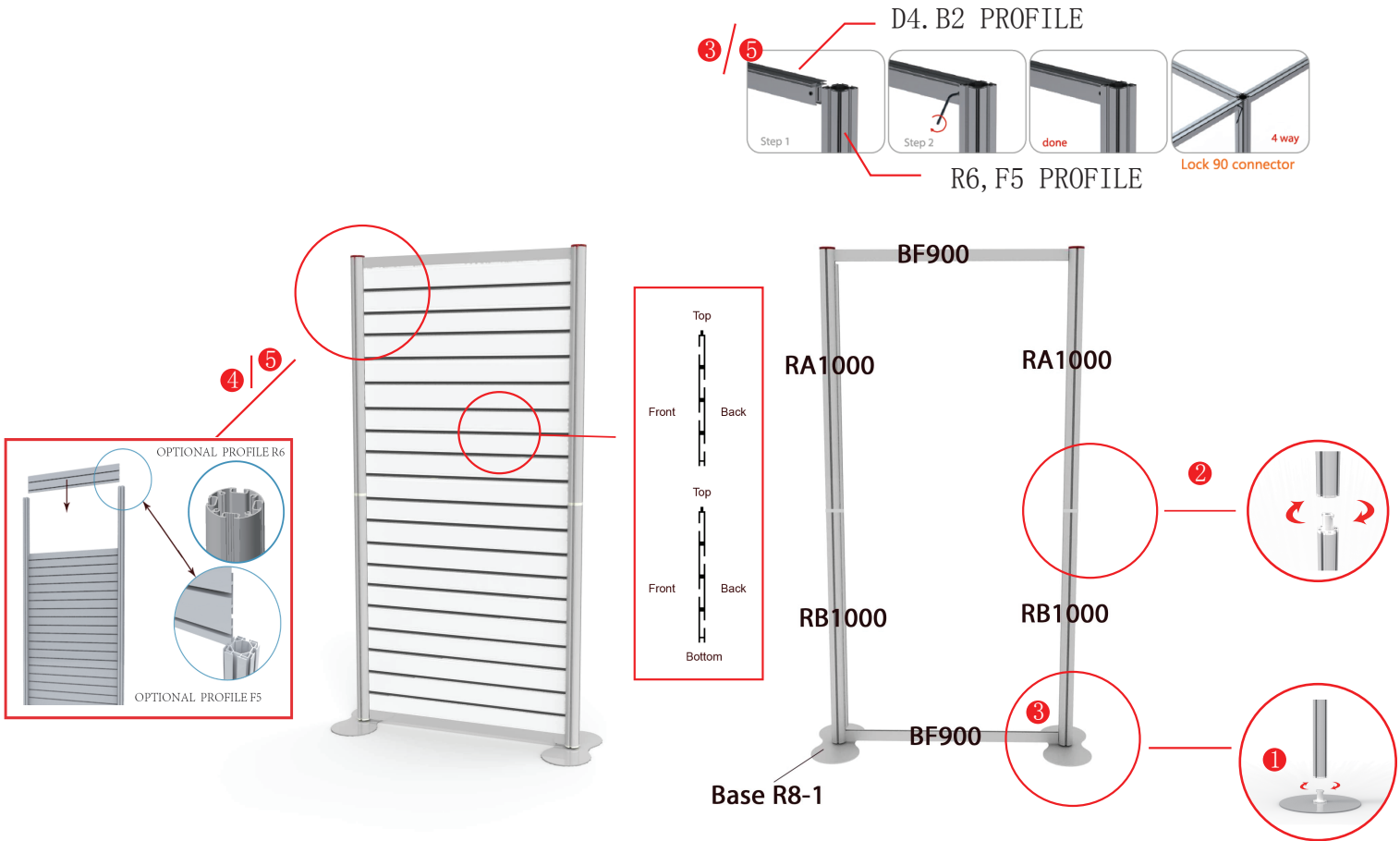


TE-19F-14DS01 USER GUIDE



TE-19F-14DS01 USER GUIDE

