

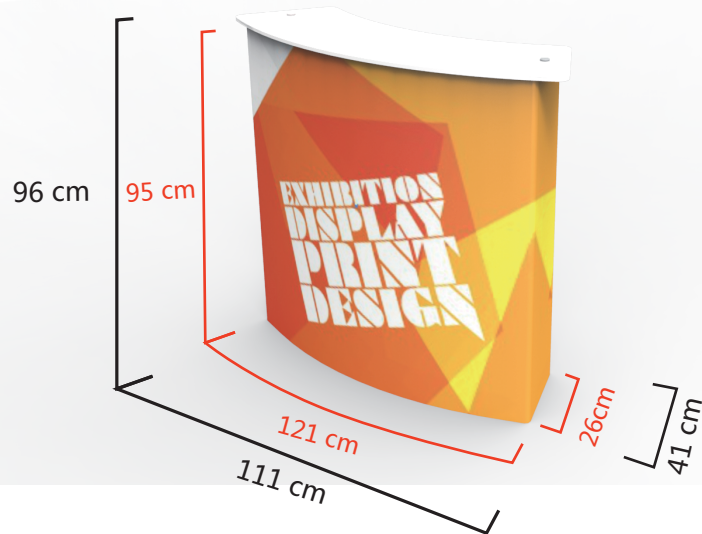
File:

Please provide final artworks in either Illustrator, Photoshop or CorelDraw file formats
Files must be set up in CMYK color mode.
All artworks must come with a digital proof saved in jpg format
Should you have specific color requirements, please provide PANTONE No. or print sample.

File setup:

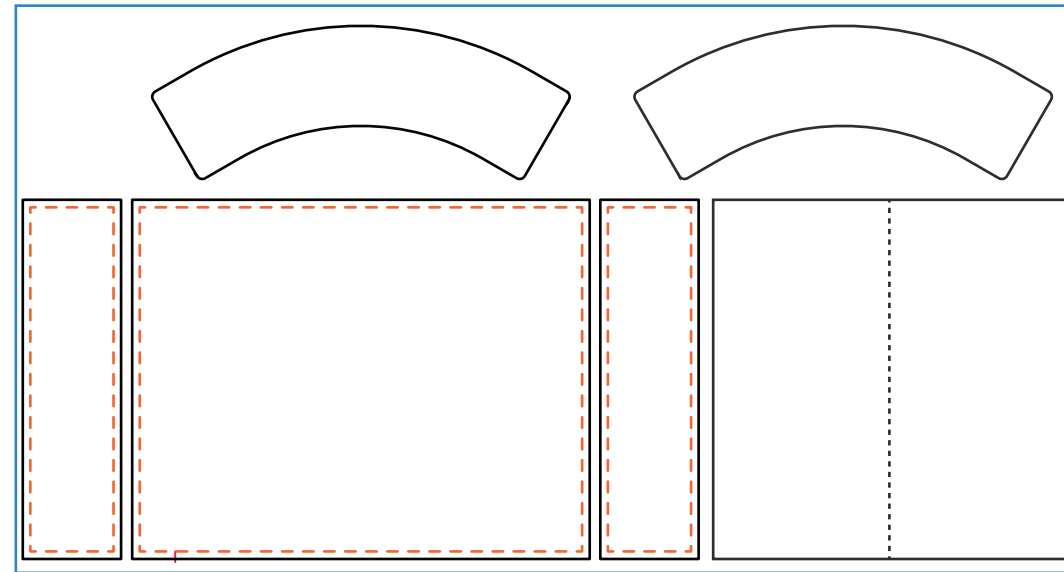
Vector files: 1:1 or proportional to actual size
All fonts must be outlined or converted to curves.
Any image placed in layout should be in CMYK mode, in at least 100dpi resolution and must also be supplied separately.

PRODUCT INFORMATION



Visible Size:121x95(H)cm
Product size:111x41x96(H)cm

TEMPLATE



Keep important graphic in this line

The fabric we need: 280x150cm

Printing size:
110*40.5cm*2pcs
121*95cm*1pcs
26*95cm*2pcs
93.2*95cm*1pcs